

# MICROPROCESSOR RS-485 DIGITAL PANEL METER

## MODEL : MPRS-596



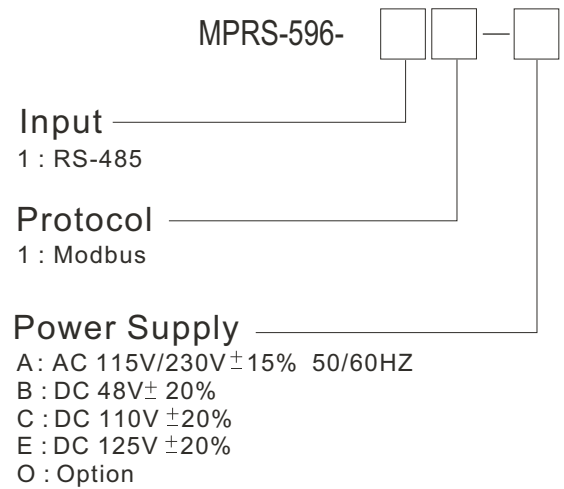
### FEATURES

- RX. TX indication
- Easy-to-wire, screw-type terminals
- Relay Output (Option)
- Outside Dimension is DIN standard (96X 48mm)

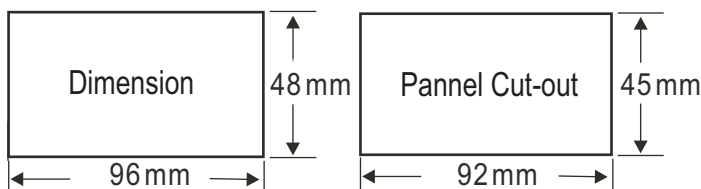
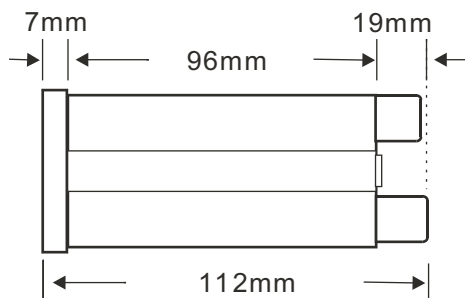
### SPECIFICATION

Digit & display:	4 1/2 (19999) 0.56" (14.2mm)H, RED
Aux. power supply:	AC115V/230V $\pm 15\%$ , 50HZ or 60HZ DC 48V, 125V $\pm 20\%$ (isolation)
Input mode:	RS-485
Samplingtime:	Abt. 0.8 sec.(standard)
Baudrate:	1200,2400,4800,9600,19200,38400
Address:	1~255
Protocol:	Modbus(standard)
Operation temperature range:	0~60°C
Storage temperature range:	-10~70°C
Temperature coefficient:	$\leq 60\text{PPM}/^\circ\text{C}$ . From 0~60°C $\leq 50\text{PPM}/25^\circ\text{C} \pm 5^\circ\text{C}$
Max. relative humidity:	95%
Noise elimination ratio:	CMRR over 86dB 50/60HZ
Power consumption:	$\leq \text{AC } 3 \text{ VA}$ , $\leq \text{DC } 3\text{W}$
Dielectric withstand voltage:	Between analog input and power terminals: AC 2.6KV for 1 Min. DIN. IEC688 Between terminals and case: AC 4KV for 1 Min. ANSI C37.90a/1983.DIN. IEC 255-4
Impulse withstand test:	5KV, 1.2 x 50 $\mu\text{s}$
Isolation Resistance:	DC 500V, 100M $\Omega$
Weight(about):	430g

### ORDERING MODEL MAKE UP



### OUTSIDE DIMENSION



### CONNECTION DIAGRAM

