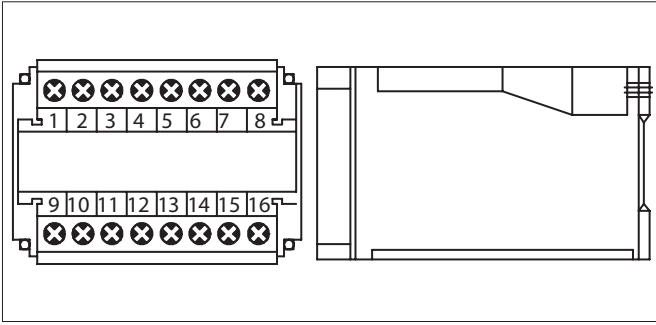


WATT HOUR TRANSDUCER

MODEL : DWH SERIES



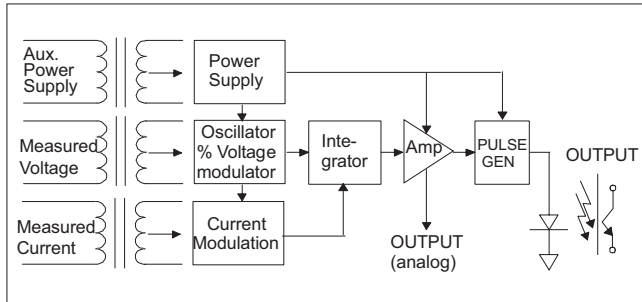
FEATURES

- Accuracy $\pm 0.25\%$ RO.
- Precision measurement even for distorted wave
- Measuring both watthour & reverse watthour is available.
- High impulse & surge protection (5KV)
- The case can be mounted on a 35mm rail which complies with DIM 46277

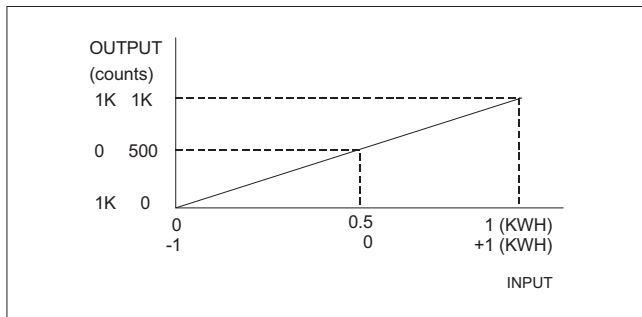
DESCRIPTION

Model : DWH-1 for 1 Φ 2W, Watthour
 DWH-3 for 3 Φ 3W, Watthour
 DWH-3A for 3 Φ 4W, Watthour

For kilowatt-hour measurement, we build in another Linear integrator Circuit. This circuit accepts signal from watts portion and integrates with respect to time, to produce a pulsed output via volt free contacts. result in pulses proportional to kilowatt-hours.



INPUT-OUTPUT CURVE



OUTPUT

Output Range		Output Mode		
per 1KWH	100 counts	Pulse DC 15V, 10mA	Open Collect DC 30V, 100mA	Relay Contacts SPDT. AC 110V, 0.5A DC 24V, 1A
	1000 counts			
	10000 counts			
	100000 counts			

- Accuracy : $\pm 0.25\%$ Rated of Output
 Input frequency : 50Hz \pm 3Hz or 60Hz \pm 3Hz
 Input burden : ≥ 0.1 VA (voltage input)
 ≤ 0.2 VA (ampere input)
 Aux. Power supply : AC 110V $\pm 15\%$, 50/60Hz
 AC 220V $\pm 15\%$, 50/60Hz
 DC24V, 48V, 110V, +15%, -10%
- Power effect : $\leq 0.1\%$ RO
 Power consumption : ≤ 4.5 VA, \leq DC 3W
 Waveform effect : $\leq 0.01\%$ RO, at distortion factor 15%
 Electromagnetic balance effect : $\leq 0.1\%$ RO.
 Mutual interference effect : $\leq 0.1\%$ RO. between element
 Magnetic field strength : 400A/M. $\leq 0.2\%$ RO..
 Span adjustment range : $\geq 5\%$ RO
 Zero adjustment range : $\geq 2\%$ RO
 Operating temperature range : 0 ~ 60 $^{\circ}$ C
 Storage temperature range : -10~70 $^{\circ}$ C
 Temperature coefficient : ≤ 100 PPM from 0 to 60 $^{\circ}$ C
 Max. relative humidity : 95%
 Isolation : Input/output/power/case
 Insulation resistance : ≤ 100 M Ω , DC 500V
 Dielectric withstand voltage ; Between input/output/power/case
 (IEC 414, 688, ANSI, C37) AC 3KV, 60Hz, 1min
 Impulse withstand test : 5KV, 1.2x50 μ s
 (IEC 255-4, ANSI C37 902) Common mode & differential mode
 Performance : Designed to comply with IEC688
 Safety requirements : IEC 414, BS5458

SPECIFICATION

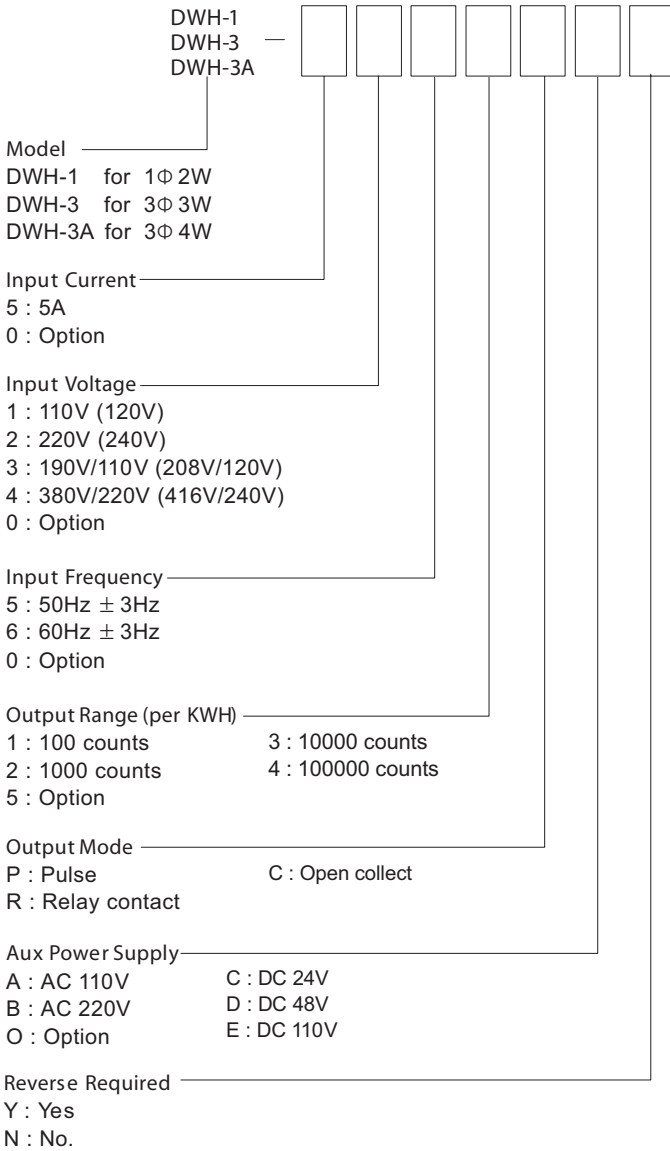
INPUT

Circuit	Amp.	Input Range		Max. Input Over Capability
		Voltage	Basic KWH	
Single Phase	5A	110V(120V)	0 ~ 0.5KWH	Ampere : 3 rated continuous 10 rated 10sec 50 rated 1sec Voltage : 1.5 rated continuous 2 rated 10sec 4 rated 1sec
		220V(240V)	0 ~ 1KWH	
3-Phase 3-wire	5A	110V(120V)	0 ~ 1KWH	
		220V(240V)	0 ~ 2KWH	
3-Phase 4-wire	5A	190/110V (208/120V)	0 ~ 1.5KWH	
		380/220V (416/240V)	0 ~ 3KWH	

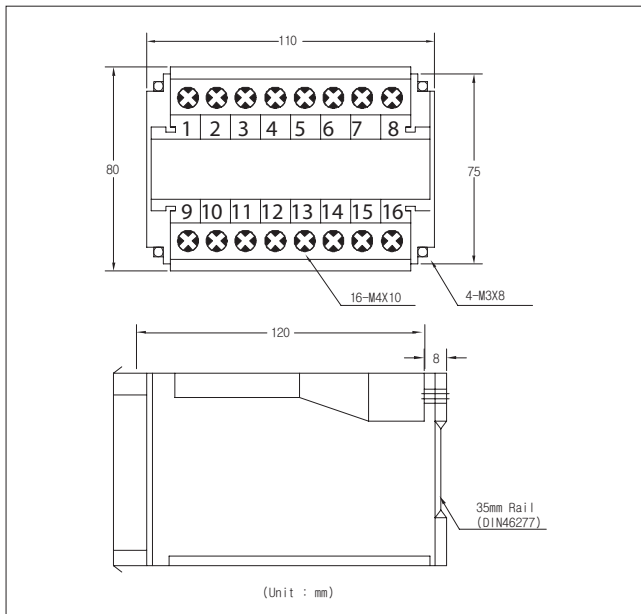
WATT HOUR TRANSDUCER

MODEL : DWH SERIES

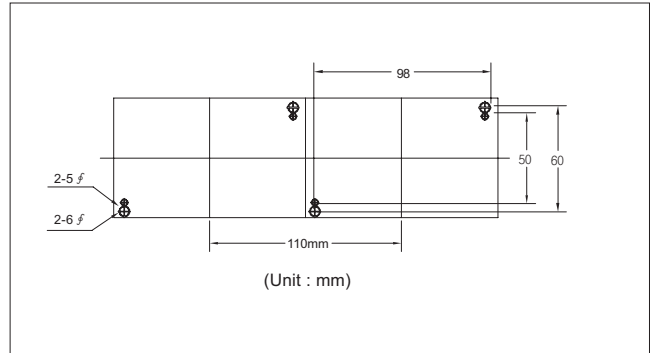
ORDERING MODEL MAKE UP



THE OUTSIDE DIMENSION

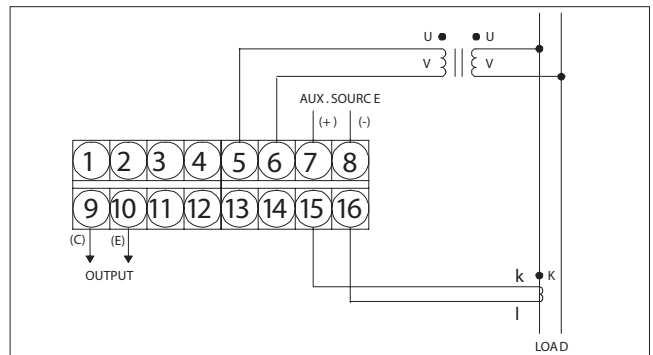


PANEL MOUNTING HOLES

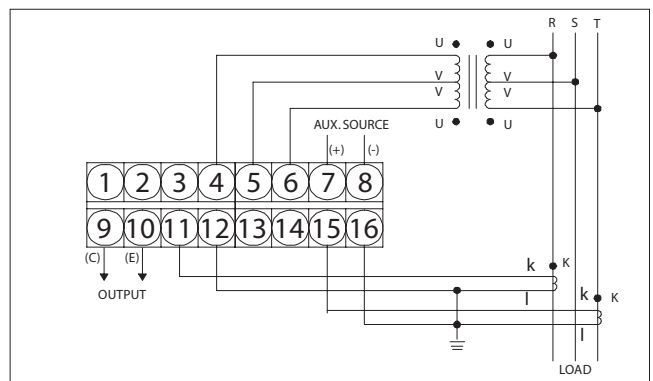


CONNECTION DIAGRAM

DWH-1 (1Φ 2W)



DWH-3 (3Φ 3W)



DWH-3A (3Φ 4W)

